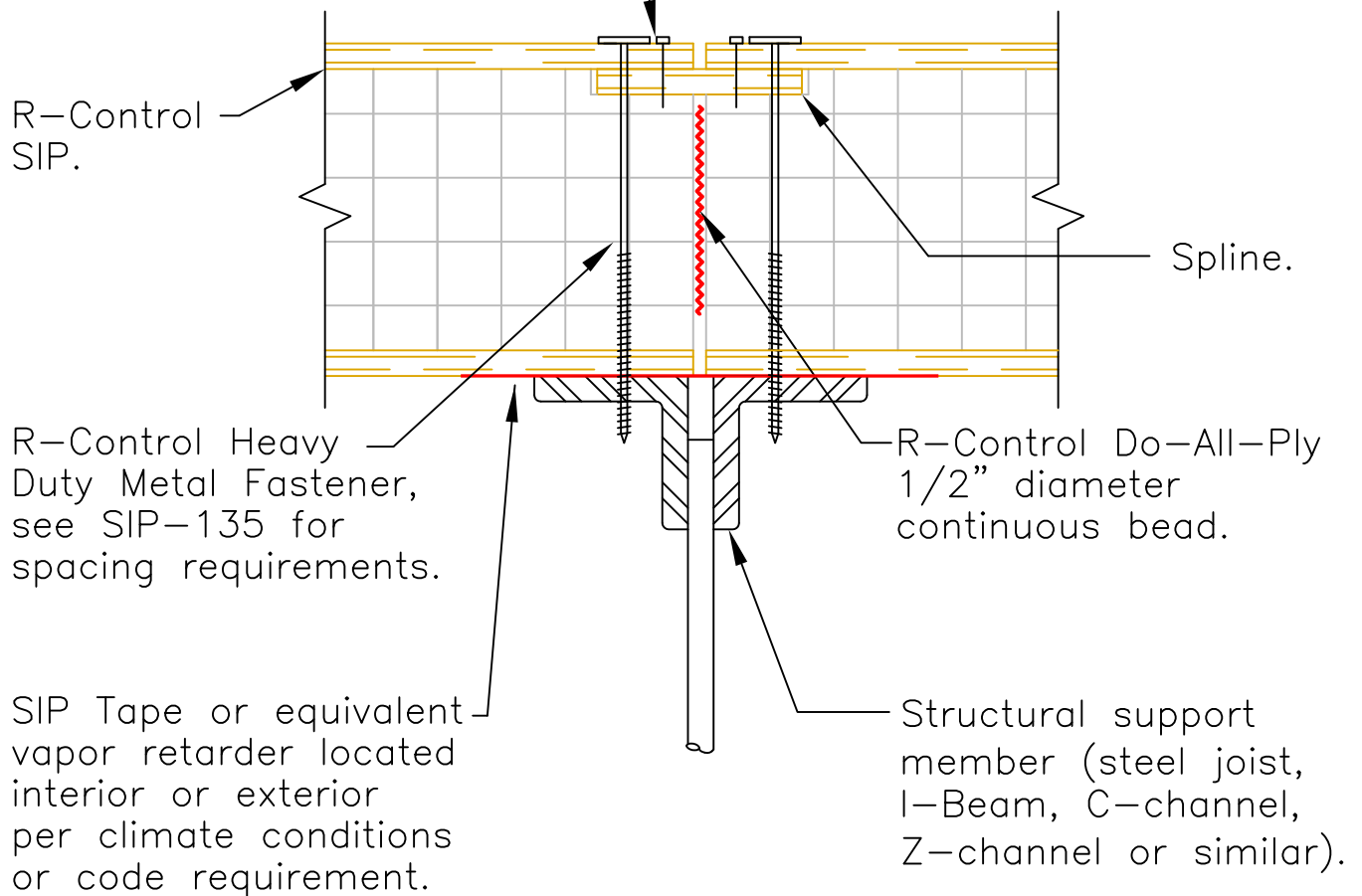


Note: roof covering & underlayment as req'd by code.

Note: Spline to be of material conforming to DOC PS2, min thickness 7/16".

8d box (0.113) nails @ 3" o.c. both sides of panel joint or equivalent. Top side of panel only.



SECTION

Scale: NTS

Updated 1-16-12

R-Control® SIP

TITLE: Surface Spline (Top)
At Steel Member

NO.
SIP-138b