

Note: roof covering & underlayment as req'd by code.

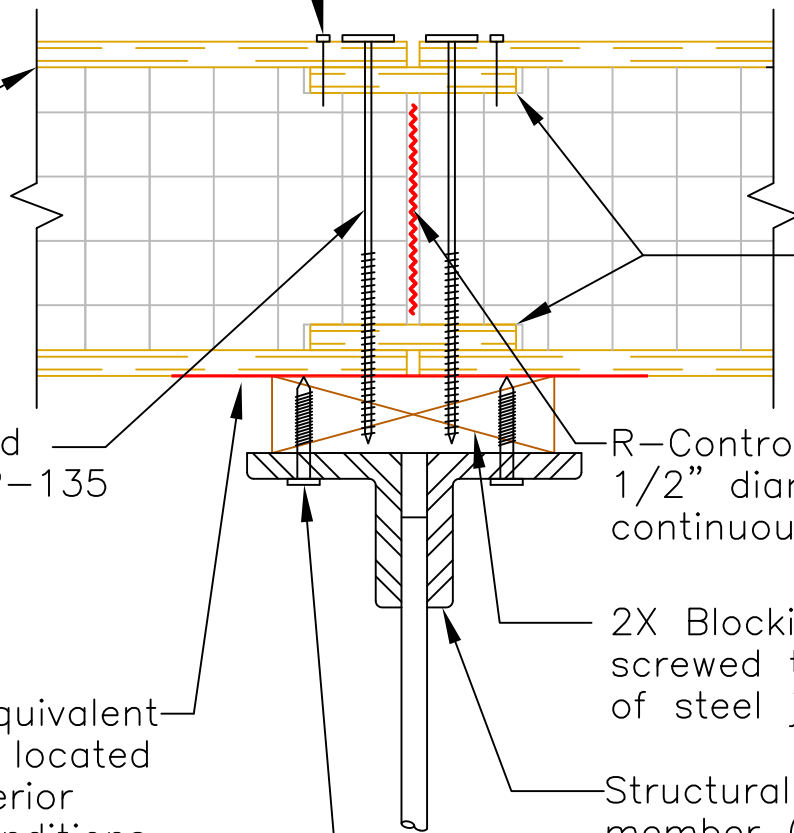
Note: Spline to be of material conforming to DOC PS2, min thickness 7/16".

8d box (0.113) nails @ 3" o.c. both sides of panel joint or equivalent. Top side of panel only.

R-Control SIP.

R-Control Wood Screw, see SIP-135 for spacing requirements.

SIP Tape or equivalent vapor retarder located interior or exterior per climate conditions or code requirement.



Surface spline (see SIP-102)

R-Control Do-All-Ply 1/2" diameter continuous bead.

2X Blocking lag screwed to top chord of steel joist.

Structural support member (steel joist).

Design as req'd by engineer. Pre-drill flange for screw application.

SECTION

Scale: NTS

Updated 1-16-12

R-Control® SIP

TITLE: Surface Spline At Steel Joist

NO. SIP-133b