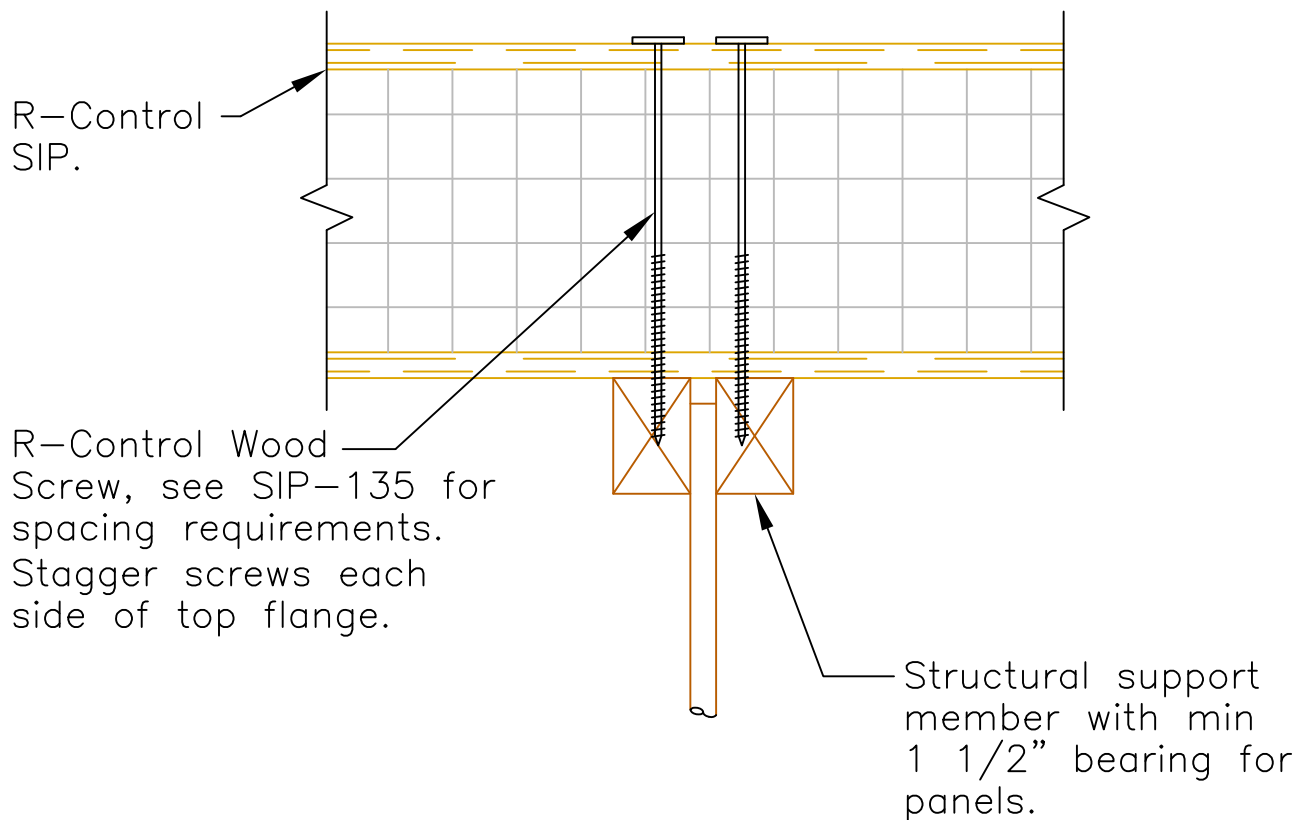


Note: roof covering & underlayment as req'd by code.



SECTION

Scale: NTS

Updated 1-16-12

R-Control® SIP

TITLE:
Continuous SIP @ Truss

NO.
SIP-134