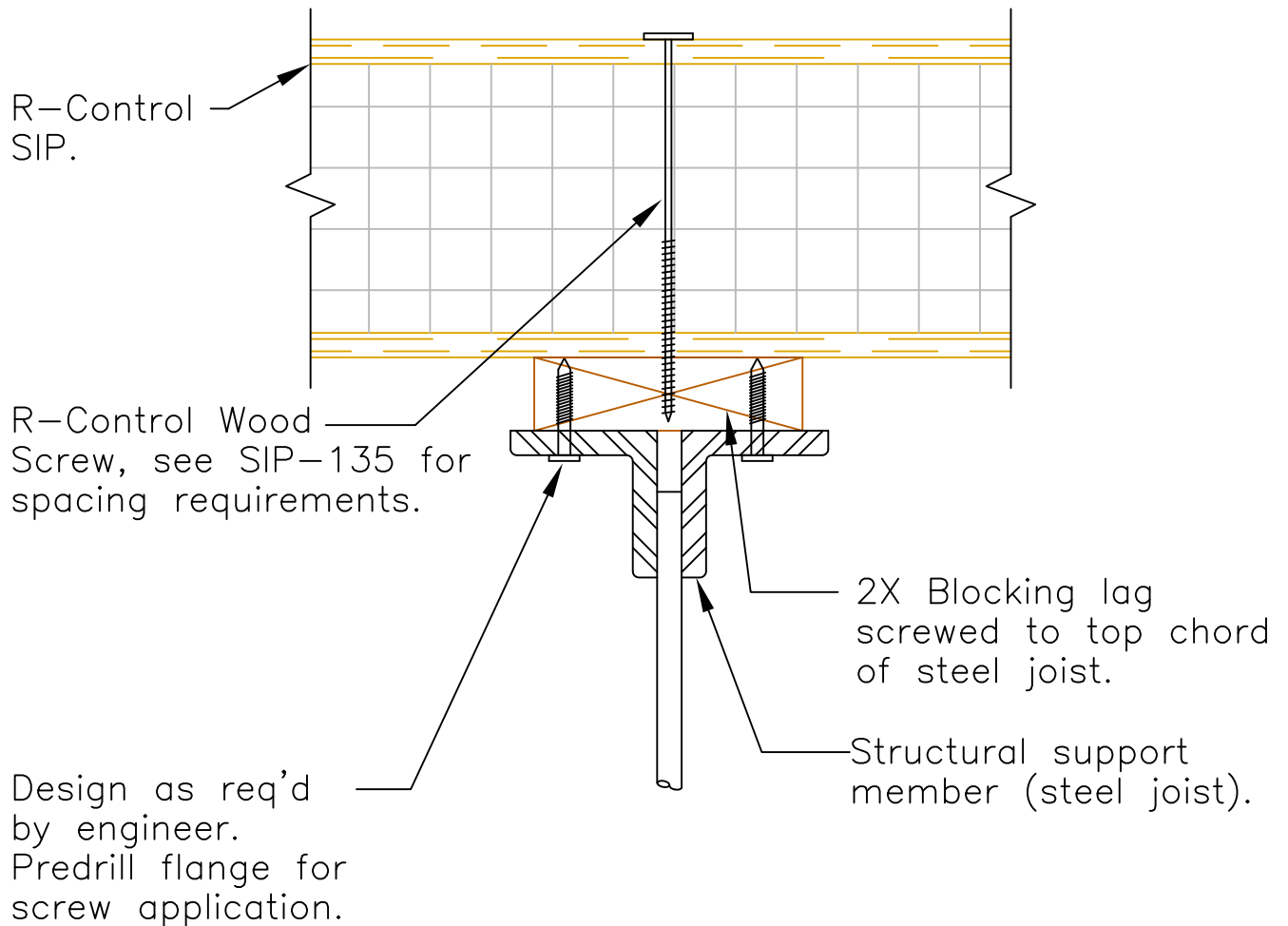


Note: roof covering & underlayment as req'd by code.



## SECTION

Scale: NTS

Updated 1-16-12

R-Control® SIP

TITLE: Continuous SIP  
At Steel Joist

NO.  
SIP-134b