

Note: roof covering & underlayment as req'd by code.

Note: wall covering & water resistive barrier as req'd by code.

See SIP-101 for connection information.

R-Control Wood Screw @ 12" o.c.

R-Control Wood Screw spaced as req'd by specific design.

Continuous R-Control SIP wall.

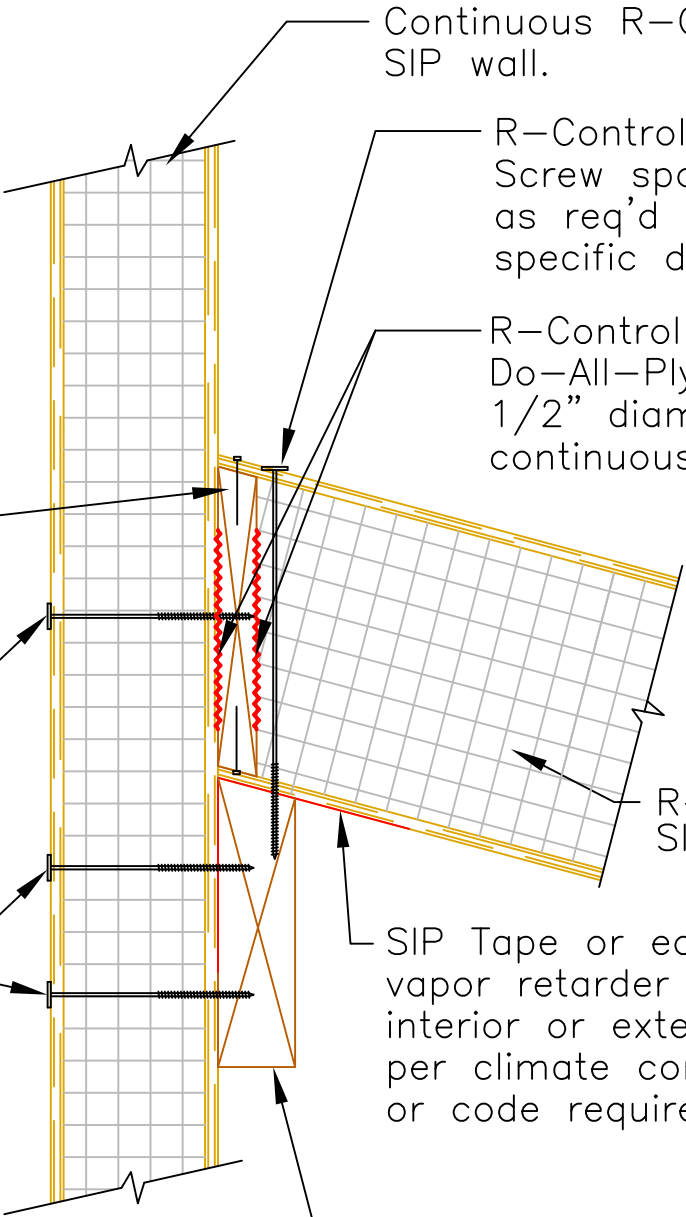
R-Control Wood Screw spaced as req'd by specific design.

R-Control Do-All-Ply 1/2" diameter continuous bead.

R-Control SIP roof.

SIP Tape or equivalent vapor retarder located interior or exterior per climate conditions or code requirement.

3" min. ledger beam as req'd by specific design.



SECTION

Scale: NTS

Updated 1-16-12

R-Control® SIP

TITLE: SIP Roof and Wood Ledger

NO. SIP-121d