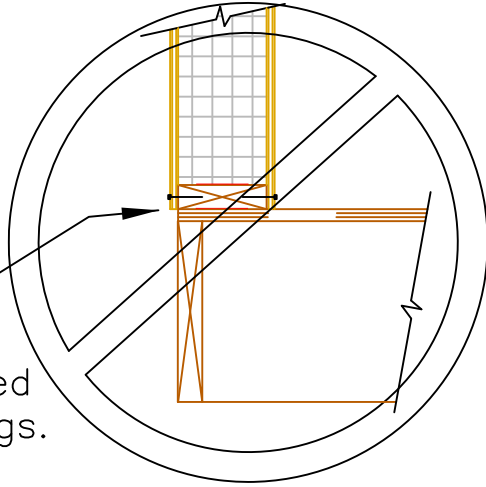
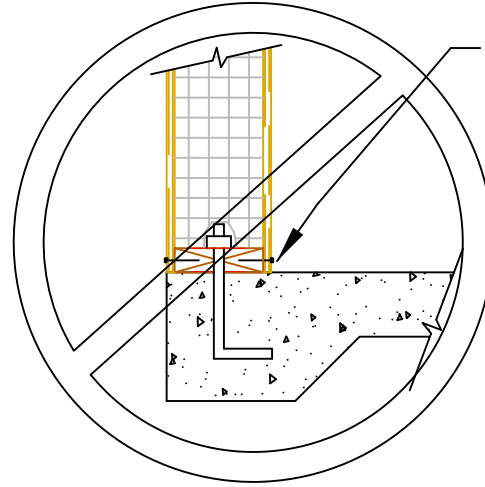


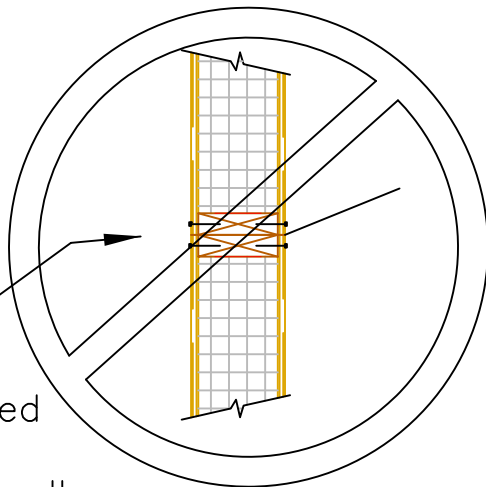
Don't have unsupported OSB facings.



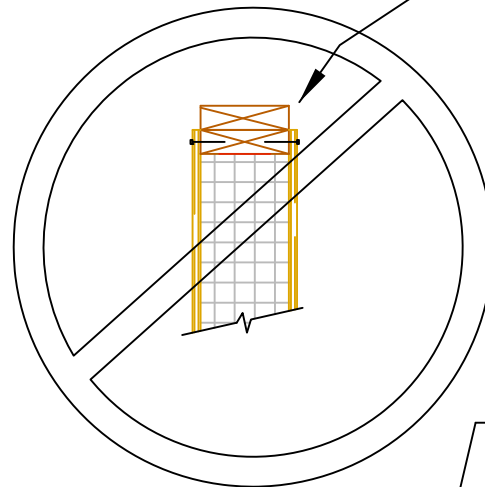
Don't have OSB facings and untreated plates in direct contact with concrete.



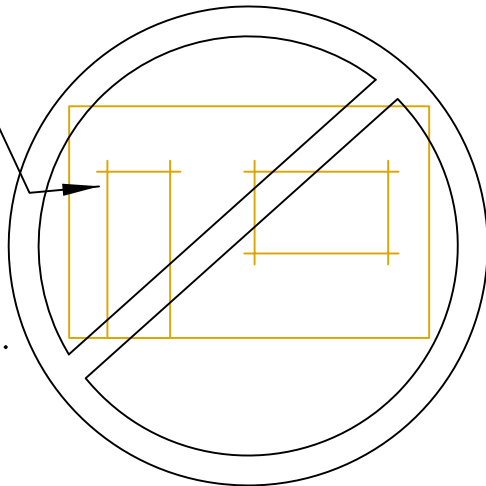
Don't have unsupported horizontal joints in wall.



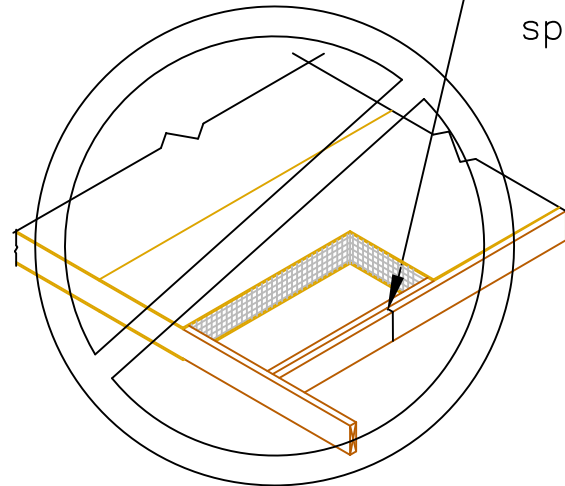
Don't have additional cap plate less than full panel width.



Don't overcut OSB facings at openings.



Don't have cuts in 2X or I-beam splines.



Note: Please refer to R-Control SIP details for proper installation techniques.

Updated 1-16-12

R-Control® SIP

TITLE:  
SIP Don'ts

NO.  
SIP-100b