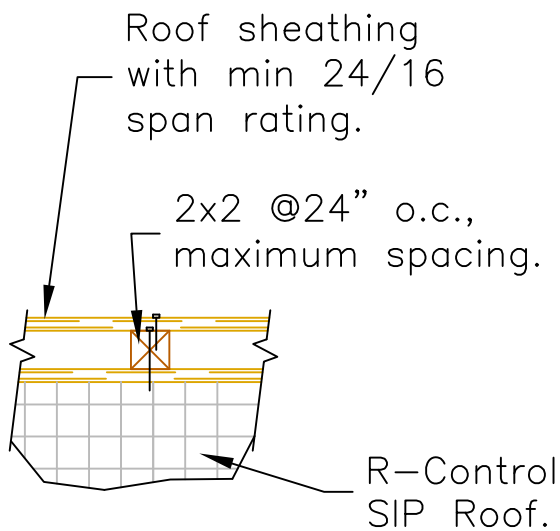


Note: Design member sizes and connections as req'd for each condition and/or project.

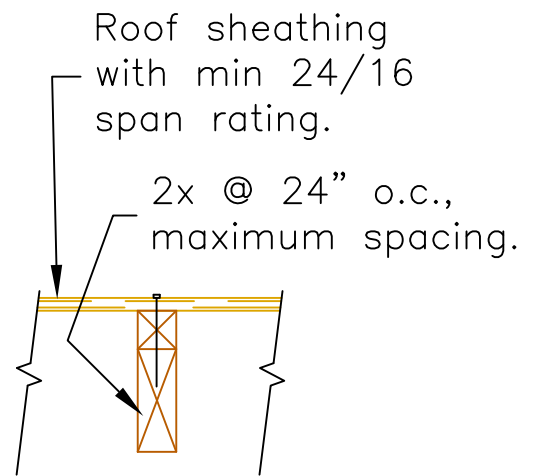
SECTION

Scale: NTS



SECTION A

Scale: NTS



SECTION B

Scale: NTS

Updated 1-16-12

R-Control® SIP

TITLE: Ventilated Roof
Eave with 2X Sleepers

NO.
SIP-127a